

### Introduction

UniCollar® is a unique method of protecting plastic pipes which pass through fire rated walls and floors. The system is supplied in continuous strip form which is cut to length and attached to the element using ready-made clips. These clips fit into the pre-punched slots on the strip.

The intumescent activating layer is already attached to the metal band and requires no additional fixing. This whole patented system is packaged in a single-ordered box for convenience and lower inventory cost.

UniCollar® pipe collars have been tested and assessed by Warrington Fire Research (Aust) Pty Ltd in accordance with the conditions of test of AS1530.4-1997 and AS4072.1-1992 as well as being the subject of a Branz report (Branz Report FAR2603 issued 10 October 2005). UniCollar® achieves a Fire Resistance Rating (FRR) up to 4 hours in floors and walls in a variety of plastic pipes.

### Benefits

- Unique patented cut-to-length strip
- All components come in one package
- Easy-to-use dispenser
- One size fits all concept
- Tested with many types of plastic pipes
- Strip moulded with intumescent
- Lower stock inventory cost

### Packaging

UniCollar® is packed in a box, which contains 2250mm length of collar or 150 segments. The box has installation details on one side.

The collar is designed so that it can be cut and snapped in segments of 15mm. One box is the equivalent of a 5 x 110mm ID collars. Refer to the chart below for a guide as to the approximate number of collar sizes per strip.

### Function

UniCollar® is the latest generation of fire collars designed to protect uPVC, HDPE, PP and other plastic pipes which pass through fire rated elements of building construction.

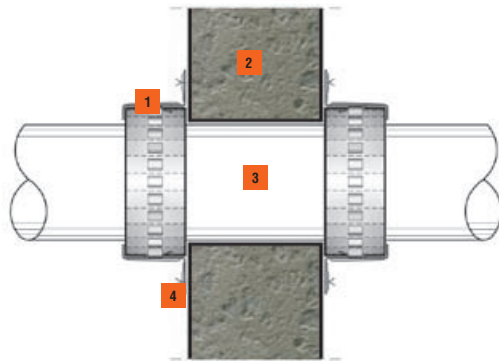
The system uses well tested Grafitex intumescent technology to effectively block off openings formed when plastic burns in a fire, to leave a solid barrier to maintain the compartment.

### Pipe types

UniCollar® has been tested on uPVC, HDPE, PP and other pipes from a variety of suppliers, individual types of plastic behave differently when exposed to fire and accordingly, many tests are required to satisfy these performance variations.

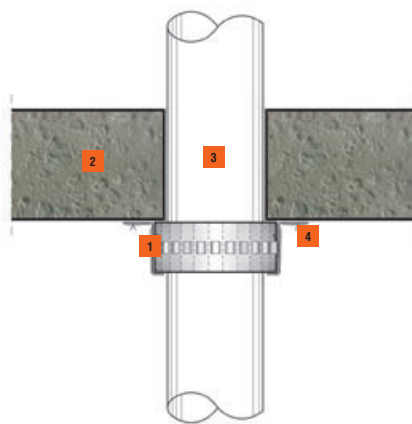
By using patented continuous strip technology, the variation in the outer diameter of the different pipe types has also been overcome.

## Fire Protection



### UniCollar® - Fire Protection Collar (Wall)

1. UniCollar® Fire Protection Collar.
2. Concrete Wall.
3. Plastic Pipe e.g. Polyethylene PE, Polyvinylchloride PVC, Polypropylene PP.
4. Attachment with suitable anchor i.e. steel expanding fasteners or laminating screws.



### UniCollar® - Fire Protection Collar (Floor)

1. UniCollar® Fire Protection Collar.
2. Concrete Floor.
3. Plastic Pipe e.g. Polyethylene PE, Polyvinylchloride PVC, Polypropylene PP.
4. Attachment with suitable anchor. ie steel expanding fasteners.

#### Dimensions

<b>Nominal pipe size (mm)</b>	43	50	55	63	69	75	83	90	110	114	125	140	150	200
<b>Casing segments</b>	15	17	18	20	21	22	24	25	29	30	33	36	42	49
<b>Approximate collars per box</b>	10	8.5	8	7.5	7	6.5	6	6	5	5	4.5	4	3.5	3