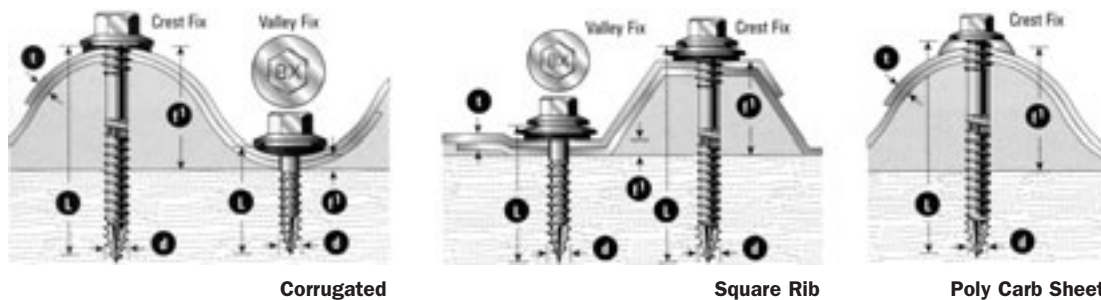


Metal and Timber Fastening Self Drilling Roof and Wall Screws - Timber

Type 17 Hex Washer Head with Seal

- ~ **AS3566 Class 3 and Class 4 finishes.**
(Class 3 part numbers end in CS, Class 4 in Z4).
- ~ For fixing roof or wall cladding where waterproof seal is required.



~ Corrugated Sheet Fixing

| d Gauge - Pitch | L Screw Length | t Maximum Metal Thickness | f1 Maximum Capacity Fixing to Timber | f2 Maximum Capacity Fixing to Steel | Order No. | Box Quantity |
|-----------------|----------------|---------------------------|--------------------------------------|-------------------------------------|----------------|--------------|
| 10 - 12 | 25 | 1.2 | 1.2 | - | 6-030-0001-2CS | 1000 |
| 12 - 11 | 25 | 1.2 | 1.2 | - | 6-030-0012-5CS | 1000 |
| | 25 | 1.2 | 1.2 | - | 6-030-3012-1Z4 | 1000 |
| | 45 | 1.2 | 15 | - | 6-030-0041-1CS | 1000 |
| | 50 | 1.2 | 18 | - | 6-030-0163-3CS | 1000 |
| | 50 | 1.2 | 18 | - | 6-030-3163-2Z4 | 1000 |
| | 65 | 1.2 | 33 | - | 6-030-0164-1CS | 1000 |
| | 65 | 1.2 | 33 | - | 6-030-3164-8Z4 | 1000 |
| 14 - 10 | 25 | 1.2 | 1.2 | - | 6-030-3003-5Z4 | 1000 |
| 14 - 10 | 50 | 1.2 | 18 | - | 6-030-3007-8Z4 | 1000 |
| | 65 | 1.2 | 33 | - | 6-030-3008-6Z4 | 1000 |
| | 75 | 1.2 | 43 | - | 6-030-3009-4Z4 | 500 |
| | 90 | 1.2 | 58 | - | 6-030-3010-9Z4 | 500 |
| | 100 | 1.2 | 68 | - | 6-030-3038-2Z4 | 500 |
| | 115 | 1.2 | 83 | - | 6-030-3213-8Z4 | 500 |
| | 125 | 1.2 | 93 | - | 6-030-3248-2Z4 | 1000 |